

Sealastic®

ALL-PURPOSE
Low and Medium
Pressure
TUBE FITTINGS

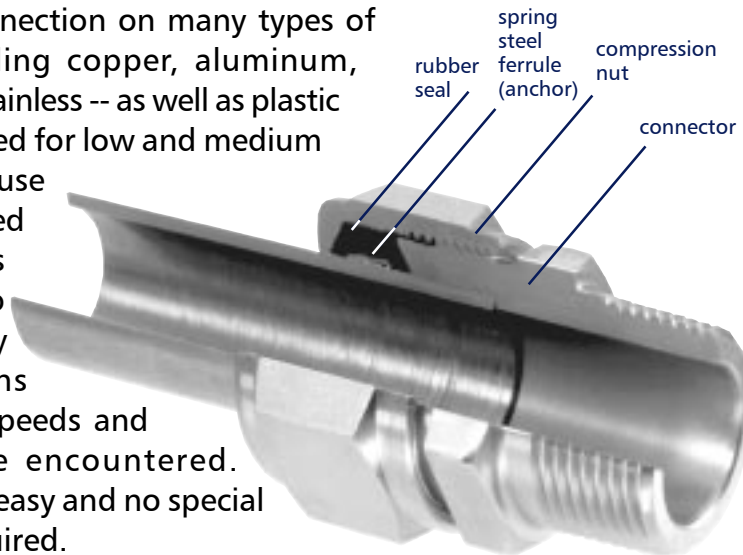
A Series of
Specialty
Tube Fittings
with
exceptional
sealing
under low
and medium
pressure,
designed for
applications
sensitive to
shock and
vibration.



CHICAGO FITTINGS CORPORATION

Sealastic® TUBE FITTINGS

Sealastic® Fittings provide a tight, leak-resistant connection on many types of metal tubing -- including copper, aluminum, Monel, thin-wall steel, stainless -- as well as plastic tubing. They are designed for low and medium pressure systems. Because of their flexible, cushioned seal, Sealastic® Fittings are particularly suited to automotive and heavy equipment applications where vibration, high speeds and mechanical shock are encountered. Installation is quick and easy and no special tube preparation is required.



FEATURES

Leak-resistant design

Sealastic® design

Rubber seal

Special tube end preparation is not necessary

Ease of assembly

BENEFITS

Rubber seal under compression minimizes costly leaks

Helps compensate for tube misalignment

Helps to isolate noise and vibration

Sealastic® Fittings do not require special finishing of the tube ends

No presetting is required and the seal & ferrule assembly is reversible saving assembly time and cost

ALSO AVAILABLE ...

Bottoming nut (positive stop) Need for torque measurement reduced by self-seating design

Zinc Dichromate plating Impedes corrosion

PROVIDE FAST, EASY INSTALLATION SAVES UP TO 80% INSTALLATION TIME

Sealastic® installation is quicker, easier, simpler. Just push the tube end into the fitting until it comes to a stop against the Connector body and tighten the Nut the required number of turns (see Table for proper tightening). The type of tubing determines the number of turns required. Precise torque recommendations for various types of tubing can be supplied on request.

TABLE FOR PROPER TIGHTENING

TUBE SIZE	1/4	3/16	3/8	1/2	5/8	3/4	7/8	1
Number of turns beyond hand tight	1/3 TO 2/3	1/2 TO 1	1/2 TO 1	3/4 TO 1 1/2	3/4 TO 1 1/2	3/4 TO 1 1/2	3/4 TO 1 1/2	3/4 TO 1 1/2

PROVIDE A FLEXIBLE, LEAK- RESISTANT SEAL THAT HELPS COMPENSATE FOR TUBE MISALIGNMENT

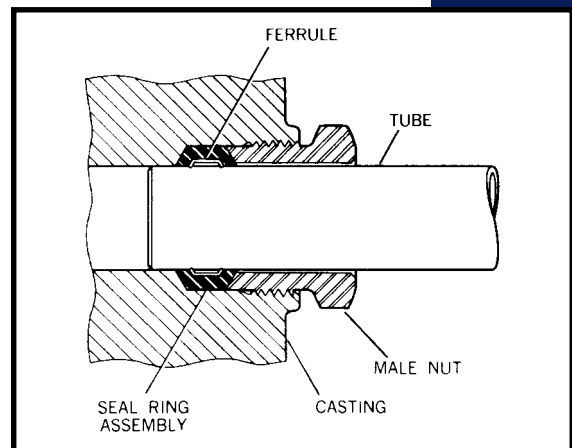
Sealastic's® resilient rubber seal, which is securely locked in place by a spring-steel ferrule and the Compression Nut, forms a leak-resistant cushion/seal between the tube end and the fitting. This permits the tube to flex



within the fitting and compensates for minor misalignment. Important time and labor savings can be achieved because of this Sealastic® feature.

MALE NUT FITTINGS

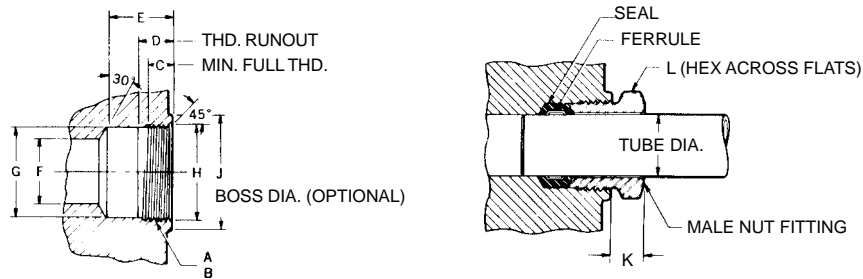
Many types of tubing may be directly connected to threaded ports in castings, manifolds, pumps, etc. with a Sealastic® Male Nut Fitting. The Sealastic® Seal and Ferrule (supplied as an assembly) is placed in the cavity and the nut is threaded into the tapped port. Pushing the tube through the nut until it bottoms and tightening the nut the required number of turns compresses the seal and spring-steel ferrule onto the tube end, providing a tight, leak-resistant seal. Sealastic® Male Nut Fittings are available for tube sizes from 1/4" to 1" O.D. Cavity machining dimensions for Sealastic® Male Nut fittings are included on page 4.



MALE NUT FITTING

Many types of tubing may be directly connected to threaded ports in castings, manifolds, pumps, etc. with a Sealastic® Male Nut Fitting. The Sealastic® Seal and Ferrule (supplied as an assembly) is placed in the cavity and the nut is threaded into the tapped port. Pushing the tube through the nut until it bottoms and tightening the nut the required number of turns compresses the seal and spring-steel ferrule onto the tube end, providing a tight, leak-resistant seal. Sealastic® Male Nut Fittings are available for tube sizes from 1/4" to 1" O.D.

MALE NUT FITTING CAVITY MACHINING DIMENSIONS



Part No.	Tube O.D.	A Thd.	B P.D.	C +.020 -.000	D ±.030	E ±.005	F ±.003	G	H ±.010	J	K Ref.	L
M3050A4	1/4	9/16-20	.5300 .5355	.255	.380	.500	.260	.520 .508	.572	.656	.281	9/16
M3050A5	5/16	5/8-20	.5925 .5981	.255	.380	.515	.322	.582 .571	.635	.718	.312	5/8
M3050A6	3/8	11/16-20	.6550 .6606	.255	.380	.546	.385	.645 .633	.698	.781	.328	11/16
M3050A8	1/2	7/8-18	.8389 .8449	.290	.430	.656	.515	.828 .815	.885	1.062	.375	7/8
M3050A10	5/8	1-18	.9639 .9701	.290	.430	.765	.640	.953 .940	1.010	1.187	.359	1
M3050A12	3/4	13/16-14	1.1421 1.1490	.365	.550	.968	.767	1.1188 1.1102	1.198	1.437	.453	13/16
M3050A14	7/8	13/8-14	1.3286 1.3356	.396	.580	1.000	.892	1.314 1.298	1.385	1.687	.453	13/8
M3050A16	1	11/2-14	1.4536 1.4608	.396	.580	1.062	1.0175	1.438 1.423	1.510	1.812	.515	11/2

VIBRATION TEST

This test was conducted using a 12" length of 5/16" O.D. annealed copper tubing with .035" wall. Liquid pressure of 25 P.S.I. was applied with 10 lbs. of pull on the tube. One end of the tube was held stationary, while the other end was flexed 5/16" at 1675 cycles per minute.

Fitting Type	Number of Cycles	Results
Compression	83.245	Failed
Flare	91.150	Failed
SEALASTIC	23,500,000	No Failures

RECOMMENDED MAXIMUM WORKING PRESSURES

Tube O.D.	Service Conditions *	Working Pressures P.S.I.
1/4"	P	3200
1/4"	V	2550
1/4"	V&S	2250
5/16"	P	3000
5/16"	V	2400
5/16"	V&S	2200
3/8"	P	2750
3/8"	V	2300
3/8"	V&S	2100
1/2"	P	2500
1/2"	V	2250
1/2"	V&S	2000

Tube O.D.	Service Conditions *	Working Pressures P.S.I.
5/8"	P	2500
5/8"	V	2100
5/8"	V&S	1800
3/4"	P	2500
3/4"	V	2100
3/4"	V&S	1800
7/8"	P	2000
7/8"	V	1750
7/8"	V&S	1500
1"	P	1750
1"	V	1500
1"	V&S	1300

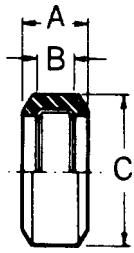
*SERVICE CONDITIONS

- P** = Tubing system subjected to static pressures only
- V** = Tubing system subjected to severe line vibration without severe surge conditions
- V&S** = Tubing system subjected to severe vibration and surges.

Sealastic® TUBE FITTINGS

AZ SERIES

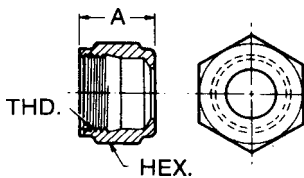
SEAL AND FERRULE



Part No.	Tube O.D.	Seal Ring Width "A"	Ferrule Width "B"	Seal O.D. "C"
AZ4	1/4	.312	.135	.498
AZ5	5/16	.312	.167	.548
AZ6	3/8	.344	.167	.611
AZ8	1/2	.438	.230	.790
AZ10	5/8	.469	.250	.915
AZ12	3/4	.565	.281	1.060
AZ14	7/8	.567	.281	1.256
AZ16	1	.625	.312	1.382

350A SERIES

HEX. NUT



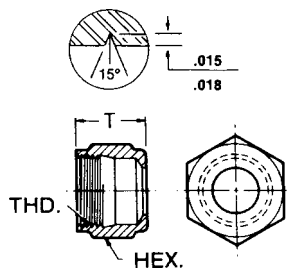
The 350A series nut is the standard nut used on Sealastic® Fittings. If a bottoming nut with a "positive stop" is required, request that the M350A Series bottoming nut be used on any fitting you order.

Part No.	Tube O.D.	Thd.	A	U Hex.
350-4	1/4	9/16-20	5/8	5/8
350-5	5/16	5/8-20	41/64	11/16
350-6	3/8	11/16-20	43/64	3/4
350-8	1/2	7/8-18	51/64	1
350-10	5/8	1-18	57/64	1 1/8
350-12	3/4	1 3/16-14	1 9/64	1 3/8
350-14	7/8	1 3/8-14	1 3/16	1 5/8
350-16	1	1 1/2-14	1 1/4	1 11/16

NOTE: AVAILABLE IN BRASS ... 300A SERIES

M350 SERIES

BOTTOMING HEX. NUT



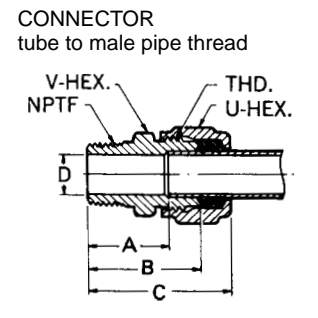
Part No.	Tube O.D.	Thd.	A	U Hex.
M350-4	1/4	9/16-20	47/64	5/8
M350-5	5/16	5/8-20	49/64	11/16
M350-6	3/8	11/16-20	51/64	3/4
M350-8	1/2	7/8-18	59/64	1
M350-10	5/8	1-18	57/64	1 1/8
M350-12	3/4	1 3/16-14	1 15/64	1 3/8
M350-14	7/8	1 3/8-14	1 1/4	1 5/8
M350-16	1	1 1/2-14	1 3/8	1 11/16

NOTE: AVAILABLE IN BRASS ... M300A SERIES

Sealastic® TUBE FITTINGS

550A SERIES

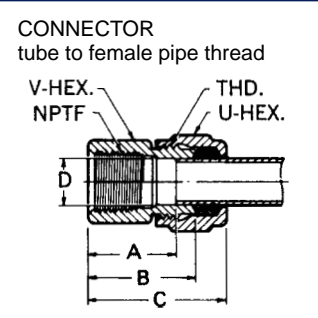
Part No.	Tube O.D.	Pipe Thd	Thd.	A	B	C Ref.	D Dia.	U Hex.	V Hex.
550A4	1/4	1/8-27	9/16-20	.687	.984	1.300	.188	5/8	9/16
550A4-4	1/4	1/4-18	9/16-20	.890	1.187	1.505	.188	5/8	5/8
550A5	5/16	1/8-27	5/8-20	.687	1.000	1.305	.234	11/16	5/8
550A5-4	5/16	1/4-18	5/8-20	.874	1.187	1.493	.234	11/16	5/8
550A6-2	3/8	1/8-27	11/16-20	.703	1.031	1.387	.234	3/4	11/16
550A6	3/8	1/4-18	11/16-20	.891	1.219	1.575	.312	3/4	11/16
550A6-6	3/8	3/8-18	11/16-20	.891	1.219	1.575	.312	3/4	3/4
550A8-4	1/2	1/4-18	7/8-18	.952	1.327	1.733	.312	1	7/8
550A8	1/2	3/8-18	7/8-18	.953	1.328	1.733	.438	1	7/8
550A8-8	1/2	1/2-14	7/8-18	1.139	1.514	1.920	.438	1	7/8
550A10-6	5/8	3/8-18	1-18	.969	1.407	1.883	.438	11/8	1
550A10	5/8	1/2-14	1-18	1.156	1.594	2.070	.531	11/8	1
550A12-8	3/4	1/2-14	13/16-14	1.282	1.813	2.355	.500	13/8	13/16
550A12	3/4	3/4-14	13/16-14	1.282	1.813	2.355	.687	13/8	13/16
550A14	7/8	3/4-14	13/8-14	1.359	1.906	2.432	.719	15/8	13/8
550A16-12	1	3/4-14	11/2-14	1.343	1.968	2.550	.719	111/16	11/2
550A16	1	1-111/2	11/2-14	1.500	2.125	2.708	.875	111/16	11/2



NOTE: AVAILABLE IN BRASS ... 500A SERIES

650A SERIES

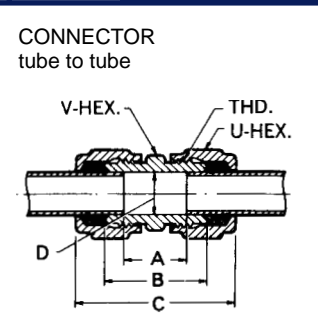
Part No.	Tube O.D.	Pipe Thd	Thd.	A Max.	B	C Ref.	D Dia.	U Hex.	V Hex.
650A4	1/4	1/8-27	9/16-20	.781	.906	1.222	.260	5/8	1/8
650A5	5/16	1/8-27	5/8-20	.750	.906	1.222	.322	11/16	5/32
650A6	3/8	1/4-18	11/16-20	.813	1.000	1.356	.385	3/4	3/16
650A8	1/2	3/8-18	7/8-18	.828	1.078	1.483	.512	1	1/4
650A10	5/8	1/2-14	1-18	.969	1.250	1.726	.637	11/8	9/32
650A12	3/4	3/4-14	13/16-14	1.313	1.625	2.167	.765	13/8	5/16
650A14	7/8	3/4-14	13/8-14	1.281	1.625	2.151	.890	15/8	11/32
650A16	1	1-111/2	11/2-14	1.500	1.875	2.458	1.015	111/16	3/8



NOTE: AVAILABLE IN BRASS ... 600A SERIES

750A SERIES

Part No.	Tube O.D.	Thd.	A	B	C Ref.	D Dia.	U Hex.	V Hex.
750A4	1/4	9/16-20	.796	1.047	1.679	.260	5/8	1/8
750A5	5/16	5/8-20	.766	1.078	1.688	.322	11/16	5/32
750A6	3/8	11/16-20	.783	1.125	1.836	.385	3/4	11/64
750A8	1/2	7/8-18	.875	1.281	2.090	.519	1	13/64
750A10	5/8	1-18	1.000	1.406	2.358	.640	11/8	13/64
750A12	3/4	13/16-14	1.375	1.813	2.898	.765	13/8	7/32
750A14	7/8	13/8-14	1.406	1.906	2.958	.890	15/8	1/4
750A16	1	11/2-14	1.438	2.000	3.165	1.015	111/16	9/32

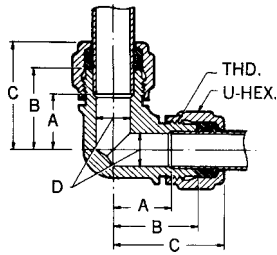


NOTE: AVAILABLE IN BRASS ... 700A SERIES

Sealastic® TUBE FITTINGS

850A SERIES

ELBOW
tube to tube

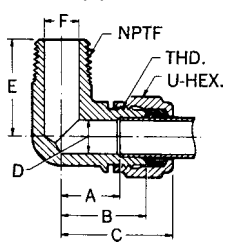


Part No.	Tube O.D.	Thd.	A	B	C Ref.	D Dia.	U Hex.
850A4	1/4	9/16-20	.528	.825	1.120	.203	5/8
850A5	5/16	5/8-20	.512	.825	1.140	.234	11/16
850A6	3/8	11/16-20	.594	.922	1.260	.312	3/4
850A8	1/2	7/8-18	.805	1.180	1.580	.438	1
850A10	5/8	1-18	.837	1.275	1.750	.531	1 1/8
850A12	3/4	1 3/16-14	1.069	1.600	2.140	.687	1 3/8
850A14	7/8	1 3/8-14	1.318	1.865	2.400	.719	1 5/8
850A16	1	1 1/2-14	1.275	1.900	2.480	.875	1 11/16

NOTE: AVAILABLE IN BRASS ... 800A SERIES

950A SERIES

ELBOW
tube to male pipe thread

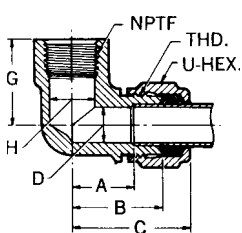


Part No.	Tube O.D.	Pipe Thd.	Thd.	A	B	C Ref.	D Dia.	E	F Dia.	U Hex.
950A4	1/4	1/8-27	9/16-20	.506	.803	1.120	.188	.828	.188	5/8
950A4-4	1/4	1/4-18	9/16-20	.528	.825	1.120	.203	.905	.203	5/8
950A5	5/16	1/8-27	5/8-20	.515	.828	1.140	.234	.828	.234	11/16
950A5-4	5/16	1/4-18	5/8-20	.512	.825	1.140	.234	1.015	.234	11/16
950A6-2	3/8	1/8-27	1 1/16-20	.582	.910	1.260	.312	.940	.234	3/4
950A6	3/8	1/4-18	1 1/16-20	.594	.922	1.260	.312	1.063	.312	3/4
950A6-6	3/8	3/8-18	1 1/16-20	.852	1.180	1.540	.312	1.219	.312	3/4
950A8-4	1/2	1/4-18	7/8-18	.805	1.180	1.580	.438	1.234	.312	1
950A8	1/2	3/8-18	7/8-18	.785	1.160	1.580	.438	1.225	.438	1
950A8-8	1/2	1/2-14	7/8-18	.805	1.180	1.580	.438	1.437	.438	1
950A10-6	5/8	3/8-18	1-18	.837	1.275	1.750	.531	1.375	.438	1 1/8
950A10	5/8	1/2-14	1-18	.837	1.275	1.750	.531	1.437	.531	1 1/8
950A12-8	3/4	1/2-14	1 3/16-14	1.069	1.600	2.140	.687	1.500	.531	1 3/8
950A12	3/4	3/4-14	1 3/16-14	1.069	1.600	2.140	.687	1.563	.687	1 3/8
950A14	7/8	3/4-14	1 3/8-14	1.140	1.687	2.220	.719	1.734	.719	1 5/8
950A16-12	1	3/4-14	1 1/2-14	1.275	1.900	2.480	.875	1.180	.719	1 11/16
950A16	1	1-1 1/2	1 1/2-14	1.275	1.900	2.480	.875	2.000	.875	1 11/16

NOTE: AVAILABLE IN BRASS ... 1500A SERIES

1050A SERIES

ELBOW
tube to female pipe thread



Part No.	Tube O.D.	Pipe Thd.	Thd.	A	B	C Ref.	D Dia.	E	F Dia.	U Hex.
1050A4	1/4	1/8-27	9/16-20	.516	.813	1.120	.188	.812	.327	5/8
1050A5	5/16	1/8-27	5/8-20	.557	.870	1.140	.234	.666	.327	11/16
1050A6	3/8	1/4-18	1 1/16-20	.702	1.130	1.260	.312	1.000	.438	3/4
1050A8	1/2	3/8-18	7/8-18	.713	1.188	1.580	.438	1.188	.562	1
1050A10	5/8	1/2-14	1-18	.837	1.275	1.750	.531	1.312	.703	1 1/8
1050A12	3/4	3/4-14	1 3/16-14	1.156	1.578	2.140	.687	1.578	.906	1 3/8
1050A14	7/8	3/4-14	1 3/8-14	1.318	1.865	2.400	.719	1.625	.906	1 5/8
1050A16	1	1-1 1/2	1 1/2-14	1.275	1.900	2.480	.875	1.880	1.140	1 11/16

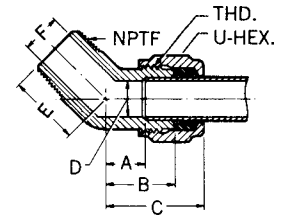
NOTE: AVAILABLE IN BRASS ... 1000A SERIES

Sealastic® TUBE FITTINGS

1150A SERIES

Part No.	Tube O.D.	Pipe Thd	Thd.	A	B	C Ref.	D Dia.	E	F Dia.	U Hex.
1150A4	1/4	1/8-27	9/16-20	.421	.718	1.040	.188	.688	.188	5/8
1150A5	5/16	1/8-27	5/8-20	.421	.734	1.040	.234	.719	.234	11/16
1150A6	3/8	1/4-18	11/16-20	.532	.860	1.080	.313	1.045	.313	3/4
1150A8	1/2	3/8-18	7/8-18	.485	.860	1.260	.438	.938	.438	1
1150A10	5/8	1/2-14	1-18	.656	1.094	1.580	.531	1.250	.531	1 1/8
1150A12	3/4	3/4-14	1 3/16-14	.687	1.218	1.760	.687	1.250	.688	1 3/8
1150A14	7/8	3/4-14	1 3/8-14	.703	1.250	1.680	.719	1.250	.719	1 5/8
1150A16	1	1-11 1/2	1 1/2-14	.781	1.406	1.990	.875	1.469	.875	1 11/16

45° ELBOW
tube to male pipe thread

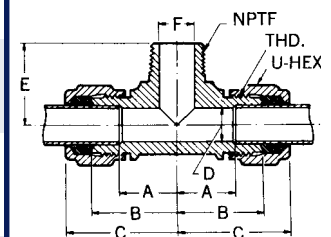


NOTE: AVAILABLE IN BRASS ... 1100A SERIES

1250A SERIES

Part No.	Tube O.D.	Pipe Thd	Thd.	A	B	C Ref.	D Dia.	E	F Dia.	U Hex.
1250A4	1/4	1/8-27	9/16-20	.538	.835	1.120	.196	.770	.188	5/8
1250A5	5/16	1/8-27	5/8-20	.515	.828	1.140	.234	.828	.234	11/16
1250A6	3/8	1/4-18	11/16-20	.592	.920	1.260	.312	1.063	.313	3/4
1250A8	1/2	3/8-18	7/8-18	.805	1.180	1.580	.438	1.234	.438	1
1250A10	5/8	1/2-14	1-18	.837	1.275	1.750	.531	1.437	.531	1 1/8
1250A12	3/4	3/4-14	1 3/16-14	1.069	1.600	2.140	.688	1.640	.688	1 3/8
1250A14	7/8	3/4-14	1 3/8-14	1.318	1.865	2.400	.719	1.875	.719	1 5/8
1250A16	1	1-11 1/2	1 1/2-14	1.275	1.900	2.480	.875	2.030	.875	1 11/16

TEE
male branch

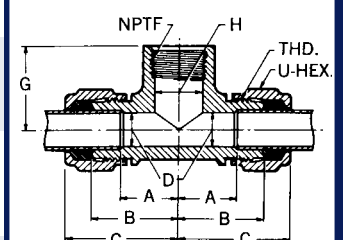


NOTE: AVAILABLE IN BRASS ... 1200A SERIES

1350A SERIES

Part No.	Tube O.D.	Pipe Thd	Thd.	A	B	C Ref.	D Dia.	G	H Dia.	U Hex.
1350A4	1/4	1/8-27	9/16-20	.583	.880	1.120	.188	.812	.327	5/8
1350A5	5/16	1/8-27	5/8-20	.512	.825	1.140	.234	.815	.327	11/16
1350A6	3/8	1/4-18	11/16-20	.592	.920	1.260	.312	.938	.438	3/4
1350A8	1/2	3/8-18	7/8-18	.805	1.180	1.580	.438	1.188	.563	1
1350A10	5/8	1/2-14	1-18	.837	1.275	1.750	.531	1.312	.703	1 1/8
1350A12	3/4	3/4-14	1 3/16-14	1.069	1.600	2.140	.687	1.578	.906	1 3/8
1350A14	7/8	3/4-14	1 3/8-14	1.318	1.865	2.400	.719	1.625	.906	1 5/8
1350A16	1	1-11 1/2	1 1/2-14	1.275	1.900	2.480	.875	1.880	1.140	1 11/16

TEE
female branch

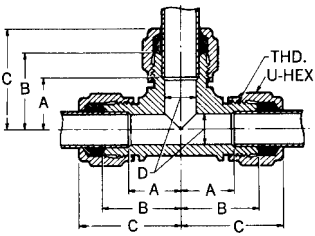


NOTE: AVAILABLE IN BRASS ... 1300A SERIES

Sealastic® TUBE FITTINGS

1450A SERIES

TEE
tube to tube to tube

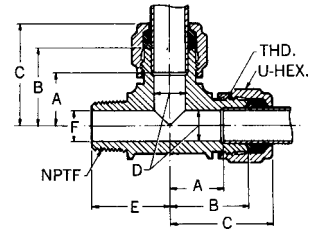


Part No.	Tube O.D.	Thd.	A	B	C Ref.	D Dia.	U Hex.
1450A4	1/4	9/16-20	.516	.813	1.120	.188	5/8
1450A5	5/16	5/8-20	.515	.828	1.140	.234	11/16
1450A6	3/8	11/16-20	.592	.920	1.260	.312	3/4
1450A8	1/2	7/8-18	.805	1.180	1.580	.438	1
1450A10	5/8	1-18	.837	1.275	1.750	.531	1 1/8
1450A12	3/4	1 3/16-14	1.069	1.600	2.140	.688	1 3/8
1450A14	7/8	1 3/8-14	1.318	1.865	2.400	.719	1 5/8
1450A16	1	1 1/2-14	1.275	1.900	2.480	.875	1 11/16

NOTE: AVAILABLE IN BRASS ... 1400A SERIES

1550A SERIES

TEE
male run

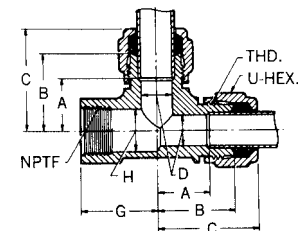


Part No.	Tube O.D.	Pipe Thd	Thd.	A	B	C Ref.	D Dia.	E	F Dia.	U Hex.
1550A4	1/4	1/8-27	9/16-20	.563	.860	1.120	.188	.828	.188	5/8
1550A5	5/16	1/8-27	5/8-20	.515	.828	1.140	.234	.828	.234	11/16
1550A6	3/8	1/4-18	11/16-20	.592	.920	1.260	.312	1.063	.312	3/4
1550A8	1/2	3/8-18	7/8-18	.805	1.180	1.580	.438	1.234	.438	1
1550A10	5/8	1/2-14	1-18	.837	1.275	1.750	.531	1.437	.531	1 1/8
1550A12	3/4	3/4-14	1 3/16-14	1.069	1.600	2.140	.688	1.640	.688	1 3/8
1550A14	7/8	3/4-14	1 3/8-14	1.318	1.865	2.400	.719	1.875	.719	1 5/8
1550A16	1	1-1 1/2	1 1/2-14	1.275	1.900	2.480	.875	2.030	.875	1 11/16

NOTE: AVAILABLE IN BRASS ... 1500A SERIES

1650A SERIES

TEE
female run



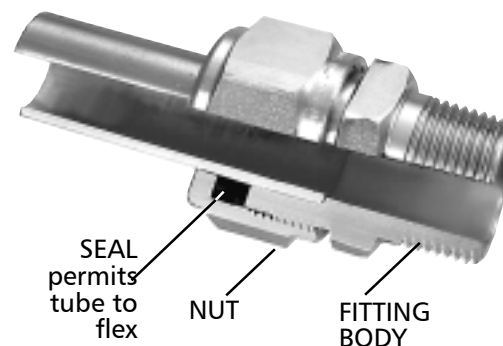
Part No.	Tube O.D.	Pipe Thd	Thd.	A	B	C Ref.	D Dia.	E	F Dia.	U Hex.
1650A4	1/4	1/8-27	9/16-20	.528	.825	1.120	.203	.815	.327	5/8
1650A5	5/16	1/8-27	5/8-20	.512	.825	1.140	.234	.815	.327	11/16
1650A6	3/8	1/4-18	11/16-20	.592	.920	1.260	.312	.938	.438	3/4
1650A8	1/2	3/8-18	7/8-18	.805	1.180	1.580	.438	1.188	.563	1
1650A10	5/8	1/2-14	1-18	.837	1.275	1.750	.531	1.312	.703	1 1/8
1650A12	3/4	3/4-14	1 3/16-14	1.069	1.600	2.140	.687	1.578	.906	1 3/8
1650A14	7/8	3/4-14	1 3/8-14	1.318	1.865	2.400	.719	1.625	.906	1 5/8
1650A16	1	1-1 1/2	1 1/2-14	1.275	1.900	2.480	.875	1.880	1.140	1 11/16

NOTE: AVAILABLE IN BRASS ... 1600A SERIES

MINI-Sealastic® FLARELESS TUBE FITTINGS

FEATURES	BENEFITS
Leak-resistant design	Rubber seal under compression minimizes costly leaks
Rubber seal	Isolates noise and vibration under compression
Bottoming nut (positive stop)	Need for torque measurement reduced by self-seating design
Ease of assembly	No presetting is required
Seal Design	Compensates for misalignment
Wide Application Range	Suitable for gasoline, oil, diesel fuel, lubricants, vacuum, air and water
Wide Tubing Range	Bundy, copper, aluminum, or glass may be used
Wide Temperature Range	Can be used for plus 250 degrees F. to sub zero temperatures. Viton® seals can be provided for temperatures to plus 450degrees F.
Dryseal Taper Thread	Long length dryseal American Standard taper pipe threads for best sealing
Ordering Option	Can be furnished as 3-piece assembly (nut, body and seal) or as body only

	Tube O.D.	Maximum Working Pressures P.S.I.
STATIC CONDITION	1/8"	900
	3/16"	750
	1/4"	500
	5/16"	500
	3/8"	350
MINOR SURGES AND/OR VIBRATIONS	1/8"	810
	3/16"	625
	1/4"	400
	5/16"	310
	3/8"	230
SEVERE VIBRATION OR SHOCK	1/8"	600
	3/16"	460
	1/4"	300
	5/16"	220
	3/8"	180

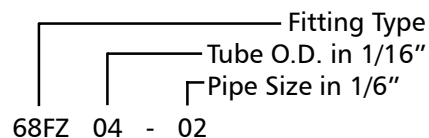


ORDERING INFORMATION:

order by catalog part number

EXAMPLE:

3 piece fitting male connector 1/4" O.D. tube, 1/8" male pipe



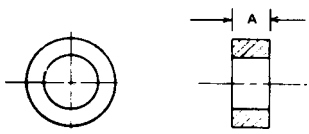
To order a body only, add "BO" to part number

EXAMPLE: 68FZ04-04BO

MINI-Sealastic® FLARELESS TUBE FITTINGS

60FZ

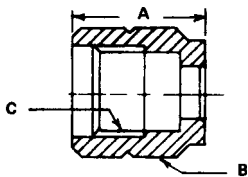
SEAL



Part No.	Tube O.D.	A
60FZ03	3/16	.197
60FZ04	1/4	.213
60FZ05	5/16	.244
60FZ06	3/8	.250

61FZ

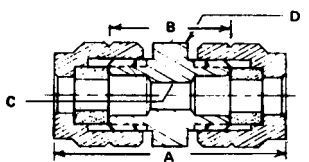
NUT



Part No.	Tube O.D.	A	B	C
61FZ03	3/16	.468	.500	7/16-24
61FZ04	1/4	.500	.562	1/2-24
61FZ05	5/16	.531	.625	9/16-24
61FZ06	3/8	.531	.687	5/8-24

62FZ

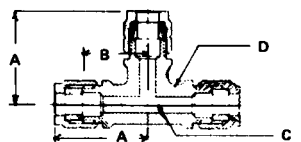
UNION



Part No.	Tube O.D.	A	B	C	D
62FZ03	3/16	1.140	.703	.125	.500
62FZ04	1/4	1.203	.765	.187	.562
62FZ05	5/16	1.296	.796	.250	.625
62FZ06	3/8	1.296	.796	.312	.687

63FZ

UNION TEE*



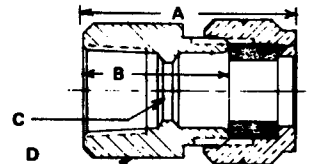
Part No.	Tube O.D.	A	B	C	D
64FZ03	3/16	.906	.687	.156	.437
64FZ04	1/4	.968	.750	.187	.437
64FZ06	3/8	1.250	1.000	.312	.625

MINI-Sealastic® FLARELESS TUBE FITTINGS

66FZ

Part No.	Tube O.D.	Pipe Thread	A	B	C	D
66FZ03-02	3/16	1/8	1.000	.781	.125	.500
66FZ04-02	1/4	1/8	1.000	.781	.187	.562
66FZ05-02	5/16	1/8	1.031	.781	.250	.625
66FZ06-04	3/8	1/4	1.218	.968	.312	.687

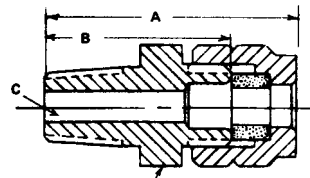
FEMALE CONNECTOR



68FZ

Part No.	Tube O.D.	Pipe Thread	A	B	C	D
68FZ03-02	3/16	1/8	1.031	.812	.125	.500
68FZ04-02	1/4	1/8	1.062	.843	.187	.562
68FZ04-04	1/4	1/4	1.250	1.031	.187	.562
68FZ05-02	5/16	1/8	1.125	.875	.218	.625
68FZ05-04	5/16	1/4	1.312	1.062	.250	.625
68FZ06-02	3/8	1/8	1.125	.875	.218	.687
68FZ06-04	3/8	1/4	1.312	1.062	.312	.687
68FZ06-06	3/8	3/8	1.312	1.062	.312	.687

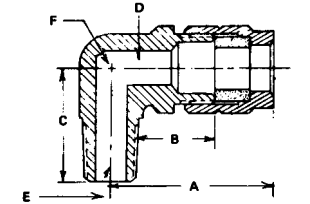
MALE CONNECTOR



69FZ

Part No.	Tube O.D.	Pipe Thread	A	B	C	D	E	F
69FZ03-02	3/16	1/8	.906	.687	.750	.156	.218	.437
69FZ04-02	1/4	1/8	.906	.687	.781	.187	.218	.500
69FZ04-04	1/4	1/4	1.062	.843	1.000	.187	.312	.562
69FZ05-02	5/16	1/8	.937	.687	.843	.250	.218	.437
69FZ05-04	5/16	1/4	1.062	.812	1.000	.250	.312	.562
69FZ06-02	3/8	1/8	1.093	.843	.906	.312	.218	.625
69FZ06-04	3/8	1/4	1.093	.843	1.062	.312	.312	.625
69FZ06-06	3/8	3/8	1.187	.937	1.125	.312	.406	.625

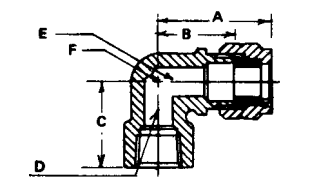
MALE ELBOW*



70FZ

Part No.	Tube O.D.	Pipe Thread	A	B	C	D	E	F
70FZ04-02	1/4	1/8	.968	.750	.750	.187	.187	.687
70FZ06-04	3/8	1/4	1.562	.906	1.062	.312	.312	.687

FEMALE ELBOW*



For sizes or configurations not listed above, consult factory.

*Consult factory regarding availability.

- 1. OFFER AND ACCEPTANCE:** Chicago Fittings Corporation (iSellerⁱ) acknowledges receipt of buyer's order and accepts same on the express condition that Buyer assent to the terms and conditions stated herein, including the **DISCLAIMER OF WARRANTY AND THE LIMITATION OF LIABILITY**, and no other terms or conditions. The terms and conditions herein stated shall be deemed accepted by the Buyer (1) If work is commenced or materials are ordered by Seller, unless Seller receives written notice with ten (10) days of the date hereof, or (2) If shipment is made or delivery accepted hereunder, or (3) If buyer otherwise indicates agreement, whichever first occurs.
- 2. WARRANTY:** Seller warrants its goods to the original Buyer only against defects in material and workmanship for a period of six months after commencement of use of the product or for a period of twelve months after the invoice date, whichever period is less.
SELLER HEREBY DISCLAIMS AND EXCLUDES ALL OTHER WARRANTIES, EXPRESS OR IMPLIED, INCLUDING ANY IMPLIED WARRANTY OF MERCHANTABILITY OR FITNESS FOR A PARTICULAR PURPOSE.
- 3. REMEDY:** Should there be any defects in the goods Buyer shall notify Seller and on receipt consent from Seller, Buyer shall return the defective goods to the factory for inspection with shipping prepaid. If inspection shows the goods to be defective Seller at its option, will repair or replace the goods without charge F.O.B. at the factory, or refund or credit the invoice price of the goods.
THIS REMEDY SHALL BE BUYER'S SOLE REMEDY, WHETHER BUYER'S CLAIMS AGAINST SELLER ARE IN CONTRACT, IN TORT, UNDER ANY WARRANTY, IN NEGLIGENCE, IN STRICT LIABILITY OR OTHERWISE, UNDER NO CIRCUMSTANCES SHALL SELLER BE LIABLE FOR SPECIAL, INCIDENTAL, INDIRECT OR CONSEQUENTIAL DAMAGES.
- 4. PRICE:** Prices listed herein are subject to raw material price change at time of shipment.
- 5. PACKING:** The goods will be packed in accordance with Seller's then prevailing packaging. Buyer shall pay all costs for special packaging requested by the Buyer.
- 6. DELIVERY:** Seller will make delivery as quoted, if reasonably possible. Dates of delivery are determined from the date of Seller's acknowledgment of any order or orders by Buyer and are estimates of approximate dates of delivery, not a guarantee of a particular day of delivery. Seller shall not be liable for failure or delay in shipping goods hereunder if such failure or delay is due to an act of God, war, labor difficulties, accidents, inability to obtain containers or raw materials at a commercially practicable price, delays by carriers or any other causes of any kind whatever beyond the reasonable control of Seller. Seller reserves the right to refuse delivery at any time, without liability on its part, when in Seller's opinion the Buyer's ability to pay for the goods on the Seller's terms and conditions is in doubt. Buyer will accept over-run or under-run on each individual item not exceeding 10% of quantities orders. Where closer control of quantities is required, special arrangements must be made.
- 7. RETURN:** Buyer shall not return any products without the prior written consent of Seller. If Seller consents, Buyer shall return the products with freight prepaid. All products returned must be standard inventory items in reasonable condition. Such products are subject to inspection and a minimum handling charge of 25% of the net invoice price plus any prior freight or handling charges.
- 8. TAX:** In addition to the purchase price quoted herein, Buyer shall pay any tax imposed by federal, state or other governmental authority of the sale or use of the product and service referred to herein or because of any value added to the product.
- 9. TESTING:** In addition to the purchase price, Buyer shall pay all costs incurred in connection with any testing to determine whether the goods meet the particular specifications of the Buyer. Buyer must specify such special testing requirements at time or order.
- 10. SPECIFICATIONS:** The products shall meet Seller's specifications unless Buyer, in placing the order, makes a written request for reasonable variations and Seller expressly agrees in writing to make such variations.
- 11. TOOLING:** Buyer shall pay the cost of any new or additional tooling necessary to meet Buyer's specifications. Seller shall nevertheless retain all right, title and interest in and to such tooling with full authority to dispose of such tooling as it deems fit.
- 12. ORDERS:** All orders are subject to the approval of Seller's Credit Department.
- 13. PATENTS:** Buyer shall, in respect to goods packaged by Seller in accordance with designs, processes, or formulas supplied, determined, or requested by Buyer, defend, indemnify, and hold harmless Seller, its successors and assigns from and against any claim, loss, damage or expense, including attorneys' fees arising out of any infringement or claim of infringement of any letters patent, trade name, trademark, copyright, or trade secrets by reason of the use of such designs, processes or formulas. Seller shall promptly notify Buyer of such claim of or suit for infringement. At Buyer's request, Seller shall give Buyer control of the defense of such suit, insofar as Seller has the authority to do so and shall furnish information and assistance for the same, all at Buyer's expense.
- 14. INDEMNIFICATION:** (a) Buyer agrees at all times to indemnify and hold harmless Seller, its agents and employees from and against all loss, cost, damage, expense, claims, demands, suits and causes of action, whether in contract, in tort, under any warranty, in negligence, in strict liability or otherwise, whatsoever alleged or asserted by any person, firm or corporation, for, on account of, or in connection with the misuse, negligence, improper installation, improper storage, improper maintenance, accident or unauthorized repair or alteration of the products sold hereunder by the Buyer.
(b) Buyer agrees at all times to indemnify and hold harmless Seller, its agents and employees from and against all loss, cost, damage, expense, claims, demands, suits, and causes of action, whether in contract, in tort, under any warranty, in negligence, in the installation, condition, maintenance, use or operation of the products sold hereunder including, but not limited to, all loss, damage, expense, claims, suits or liability which Seller or any of its employees or agents may sustain or incur at any time for or by reason of any injury to or death of any person or damage to any property arising out of any claimed improper design or manufacture of the products sold hereunder or of any claimed inadequate or insufficient safeguards or safety devices or any failure to warn of any such alleged defect or otherwise.
- 15. RISK OF LOSS:** Risk of loss or damage to the goods shall be on the Buyer from the time Seller delivers the goods to a carrier for shipment to Buyer, without reference to the type of shipment. Buyer should make all claims for damage or losses in transit directly to the carrier.
- 16. MODIFICATION OF CANCELLATION:** After the Buyer has accepted the terms and conditions herein, Buyer may not modify or cancel its contract with Seller except upon written agreement with the Seller in which case Buyer shall be liable for reasonable charges including, but not limited to, costs for any tools, molds, or materials purchased specifically for this contract, and indirect costs and profits, all as assessed in accordance with Seller's regular commercial practices. Minimum cancellation charges are 50% of the value of items cancelled.
- 17. ACCEPTANCE:** Buyer's receipt of any goods delivered hereunder shall be an irrevocable acceptance of such goods unless Buyer give Seller notice of claims with ten (10) days after such receipt and, except as expressly provided herein, a waiver by Buyer of any and all claims with respect to such goods. No goods may be returned without the prior written approval of the Seller. If Seller gives such approval, Buyer shall pay all transportation costs for returned goods.
- 18. ASSIGNMENT:** Buyer shall not assign this order or any interest herein including any performance which may become due hereunder, without Seller's written consent.
- 19. GENERAL:** No waiver by the company of any breach or of any provision of this contract shall constitute a waiver of any subsequent breach of such provision or of any other provision. No modification or change in, or departure from, or waiver of the provisions of this agreement shall be valid or binding unless approved by Seller in writing. This agreement shall constitute the entire agreement between the parties. The laws of the State of Illinois shall govern this agreement.
- 20. TERMS OF PAYMENT:** Net cash thirty (30) days. Any invoice not paid within thirty (30) days shall thereafter bear interest at the lesser of (1) 1.0% per month, or part thereof, or (2) the maximum rate prescribed by law.

We hereby certify that these goods were produced in compliance with all applicable requirements of section 6, 7, and 12 of the Fair Labor Standards Act, as amended, and of regulations and order of the United States Department of Labor issued under Section 14 thereof.

Rubbernek® TUBE FITTINGS

Rubbernek® Tube Fittings incorporate a unique and proven circumferential sealing principle that meets systems designers' and users' requirements for a fitting that will provide exceptional sealing on standard-, medium-, and thin-wall steel tubing. The sealing action is based on rubber-to-metal contact between the tubing and the connector. For this reason, Rubbernek® Tube Fittings can more readily absorb impulse shocks, pressure surges, and vibration.

RUBBERNEK® MALE NUT FITTING ASSEMBLY

The Rubbernek® Male Nut Fitting Assembly is an integral male fitting which permits direct tube connections to ports in castings, forgings, pumps, manifolds, etc. It can be used with many types of steel tubing; no flaring or tube preparation is required beyond a clean cut-off and normal deburring.

Sealastic® TUBE FITTINGS

SEALASTIC® TUBE FITTINGS PROVIDE A FLEXIBLE, LEAK-RESISTANT SEAL THAT COMPENSATES FOR MINOR TUBE MISALIGNMENT.

Sealastic's® resilient rubber seal, which is securely locked in place by a spring steel ferrule and a compression nut, forms a leak-resistant cushion seal between the tube end and the fitting. This permits the tube to flex within the fitting and compensates for minor misalignment. Important time and labor savings can be achieved because of the Sealastic® feature.

MALE NUT FITTING

Many types of metal tubing may be directly connected to threaded ports in castings, manifolds, pumps, etc. with a Sealastic® Male Nut Fitting. The Sealastic® Cushion Seal and Ferrule (supplied as an assembly) is placed into the cavity and the nut is threaded into the tapped port. Pushing the tube through the nut until it bottoms and tightening the nut the required number of turns compresses the seal and spring steel ferrule onto the tube end, providing a tight, leak-resistant seal. Sealastic® Male Nut Fittings are available for tube sizes from 3/16" to 1" O.D.

V-S-P® TUBE FITTINGS

... exceptional resistance to leakage under higher pressure and vibration conditions.

V-S-P® Tube Fittings are a new idea in fittings for high pressure hydraulic service. They combine the resiliency and lead resistance of a rubber-to-metal seal with the ability to withstand higher pressures that is characteristic of brazed and welded fittings.

Sealastic®



CHICAGO FITTINGS CORPORATION

756 Landmark Drive • Belvidere, Illinois 61008
815-547-5471 / Toll Free: 877-638-9009
FAX: 815-547-5492 info@chicagofittings.com